

Catalogue 03/2008

ATRIUM Alu-HS[®]



for aluminium systems



Catalogue

Lift and Slide Fittings

ATRIUM Alu-HS[®]

03/2008

Update 03/2009



Contents

	Page
Product description ATRIUM Alu-HS	5
ATRIUM Alu-HS200 Technical data	6
ATRIUM Alu-HS 300 Technical data	7
Sash arrangements / Abbreviations	8
ATRIUM Alu-HS200 Article description	9
ATRIUM Alu-HS 300 Article description	11
Handle sets	13
Accessories	15
Mounting Support (Tools)	17

The Benefits

Perfect for large elements

The lift-slide fitting ATRIUM Alu-HS® is capable of lifting and sliding sash weights up to both 300 kg (Alu-HS 300) and 200 kg (Alu-HS 200). A special model with tandem bogies allows up to 400 kg (base Alu-HS 300). Range of application: from 1200 to 2700 mm (3300 mm) sash heights, sash widths from 720 to 3235 mm (Alu-HS 200 to 2360 mm sash widths). Outer frame width of 6500 mm is possible. The handle position is constant and optimal for use with both windows and doors. This system is suitable for a wide range of well-known aluminium profile systems.

Particularly easy installation

The accessories is always ideally suited to the aluminium profile systems and is designed for a quick and easy installation. Just 2 cuts allows the system to be adapted to required sash height and sash width.

Excellent running characteristics

Lavaal Ibérica is the only manufacturer equipping the highly corrosion protected bogies with cleaning brushes. This is effecting a self-cleaning process of the running track at each operation. The rollers are protected from dirt and long-term damage. While opening and closing operation the lift-and-slide fitting ATRIUM Alu-HS® is using leverage at espag and bogies ideally/optimally. Weightless gliding for many years guaranteed.

Ventilating and closing with security

Thanks to a well engineered espag mechanism the elegant design handle is acceptable small and discreet. A useful night ventilation is built in the lift-and-slide fitting ATRIUM Alu-HS . The standard espag is already prepared for profile cylinder use.



Elegant design handle – acceptable small and discreet.



ATRIUM Alu-HS® 200

Technical Data

ATRIUM Alu-HS® 200

Range of application Scheme A:

Sash width	650 - 2360 mm
Sash height	1200 - 2700 mm
Outer frame width	6500 mm (Scheme A)

Sash weight

Standard	max. 200 kg
----------	-------------

Backset

27,5 mm

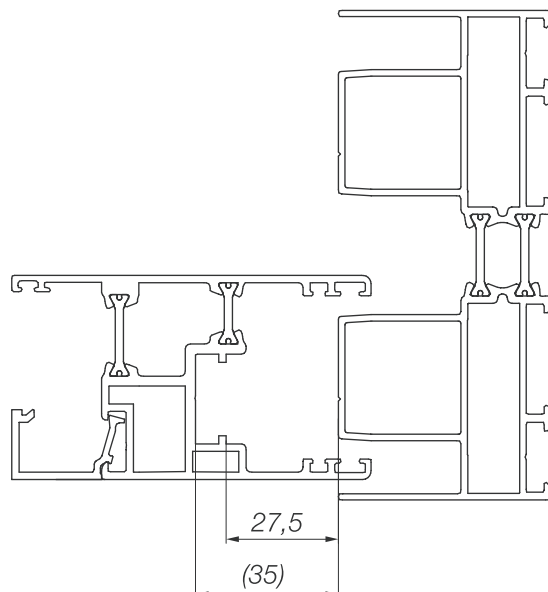
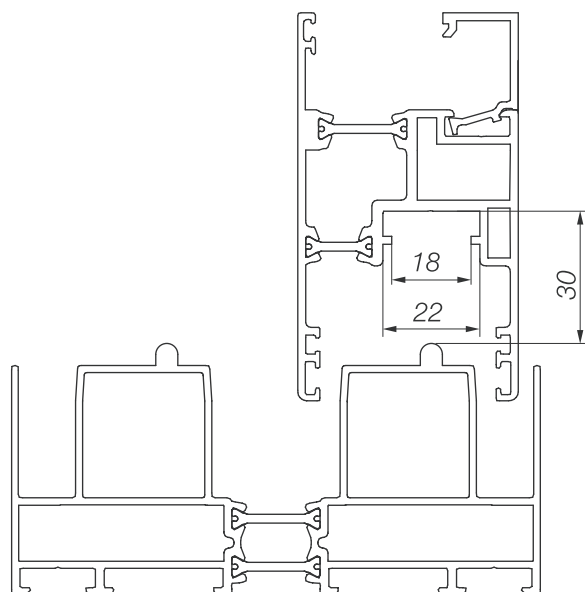
Handle position

Window (FH 1200 - 1800 mm)	450 mm
Doors (FH 1801 - 2700 mm)	1010 mm

Range of application is depending on used profile systems.
Specifications of profile manufacturers to be observed.



ATRIUM Alu-HS 200 Bogie handle side



ATRIUM Alu-HS® 300

Technical Data

ATRIUM Alu-HS® 300

Range of application Scheme A:

Sash width	720 - 3235 mm
Sash height	1200 - 2700 mm (3300 mm)*
Outer frame width	6500 mm (Scheme A)

*with 600 mm espag extensions

Sash weight

Standard	max. 300 kg
With Tandem bogies	max. 400 kg

Backset

37,5 mm

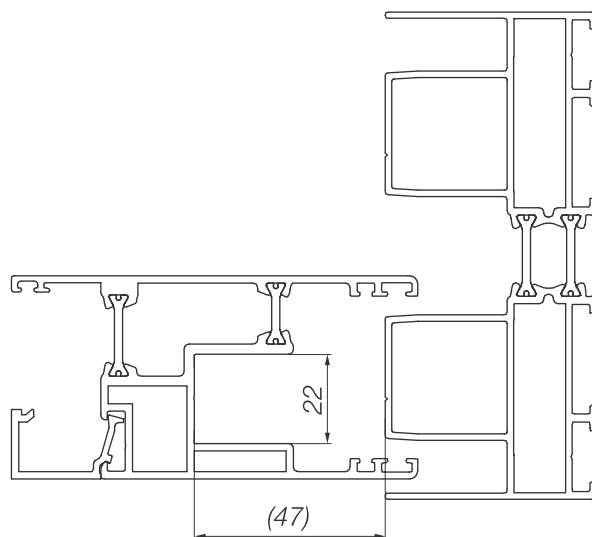
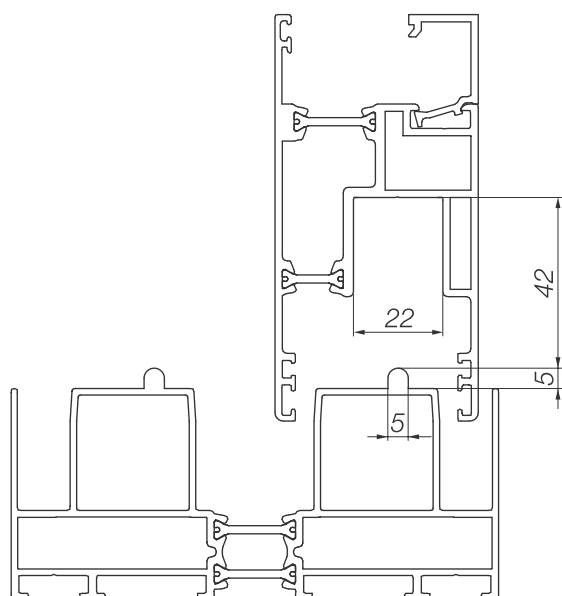
Handle position

Window (FH 1200 - 1800 mm)	450 mm
Doors (FH 1801 - 2700 mm)	1010 mm

Range of application is depending on used profile systems. Specifications of profile manufacturers to be observed.

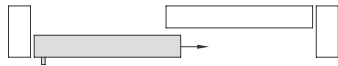


ATRIUM Alu-HS 300 Bogie handle side

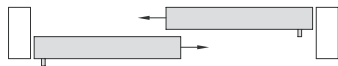


Sash arrangement – ATRIUM Alu-HS®

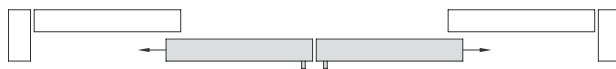
Scheme A



Scheme D



Scheme C



Scheme F



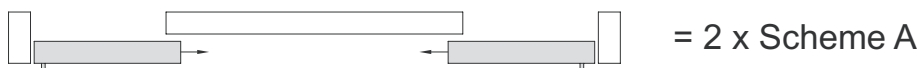
Scheme G



Scheme H



Scheme K

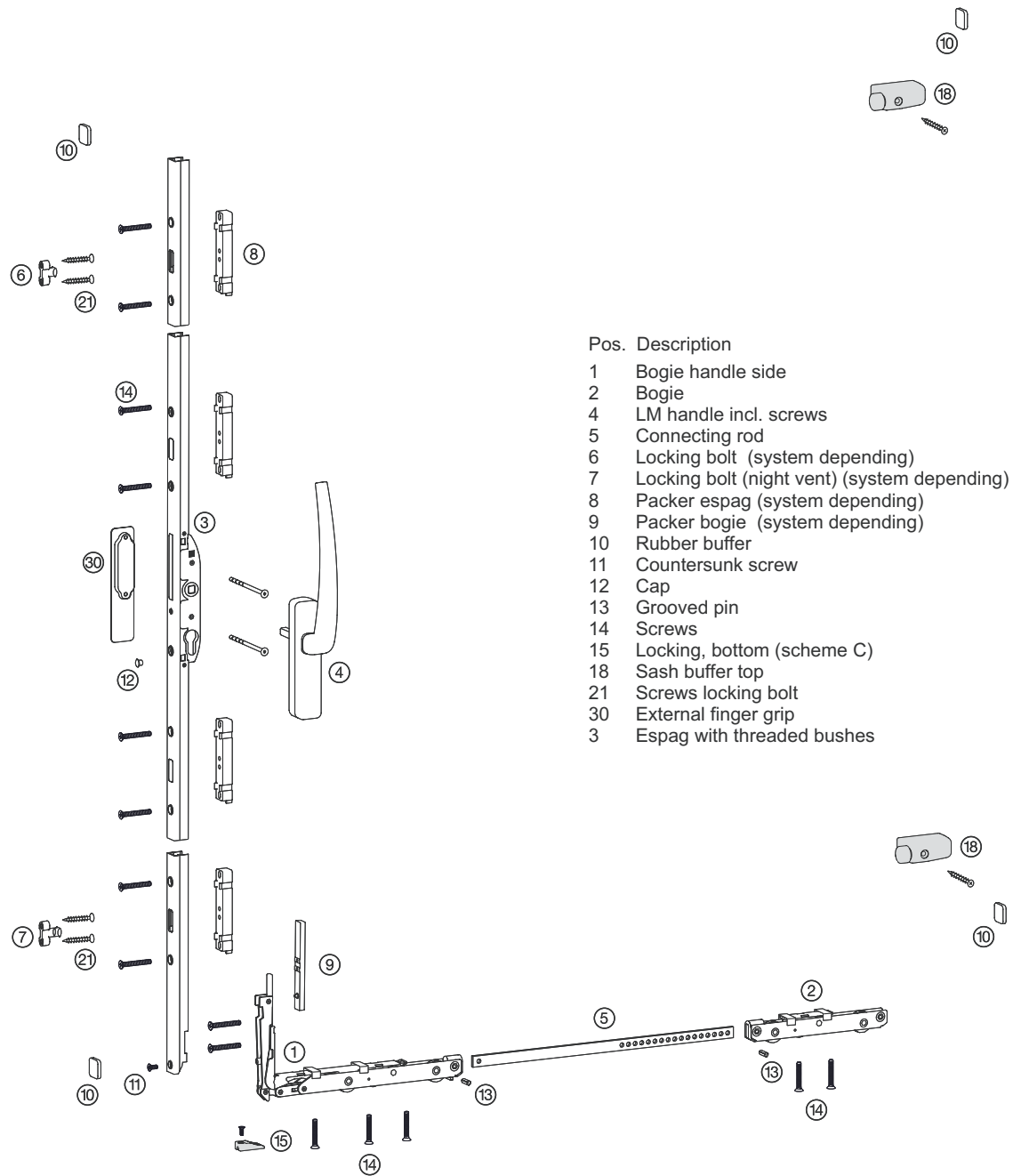


Abbreviations

- Gr. = Size
- L = Length
- FB = Sash width
- FH = Sash height

Note: Handle position for size 180 espag = 450 mm

ATRIUM Alu-HS® 200



Pos. Description

- 1 Bogie handle side
- 2 Bogie
- 4 LM handle incl. screws
- 5 Connecting rod
- 6 Locking bolt (system depending)
- 7 Locking bolt (night vent) (system depending)
- 8 Packer espag (system depending)
- 9 Packer bogie (system depending)
- 10 Rubber buffer
- 11 Countersunk screw
- 12 Cap
- 13 Grooved pin
- 14 Screws
- 15 Locking, bottom (scheme C)
- 18 Sash buffer top
- 21 Screws locking bolt
- 30 External finger grip
- 3 Espag with threaded bushes

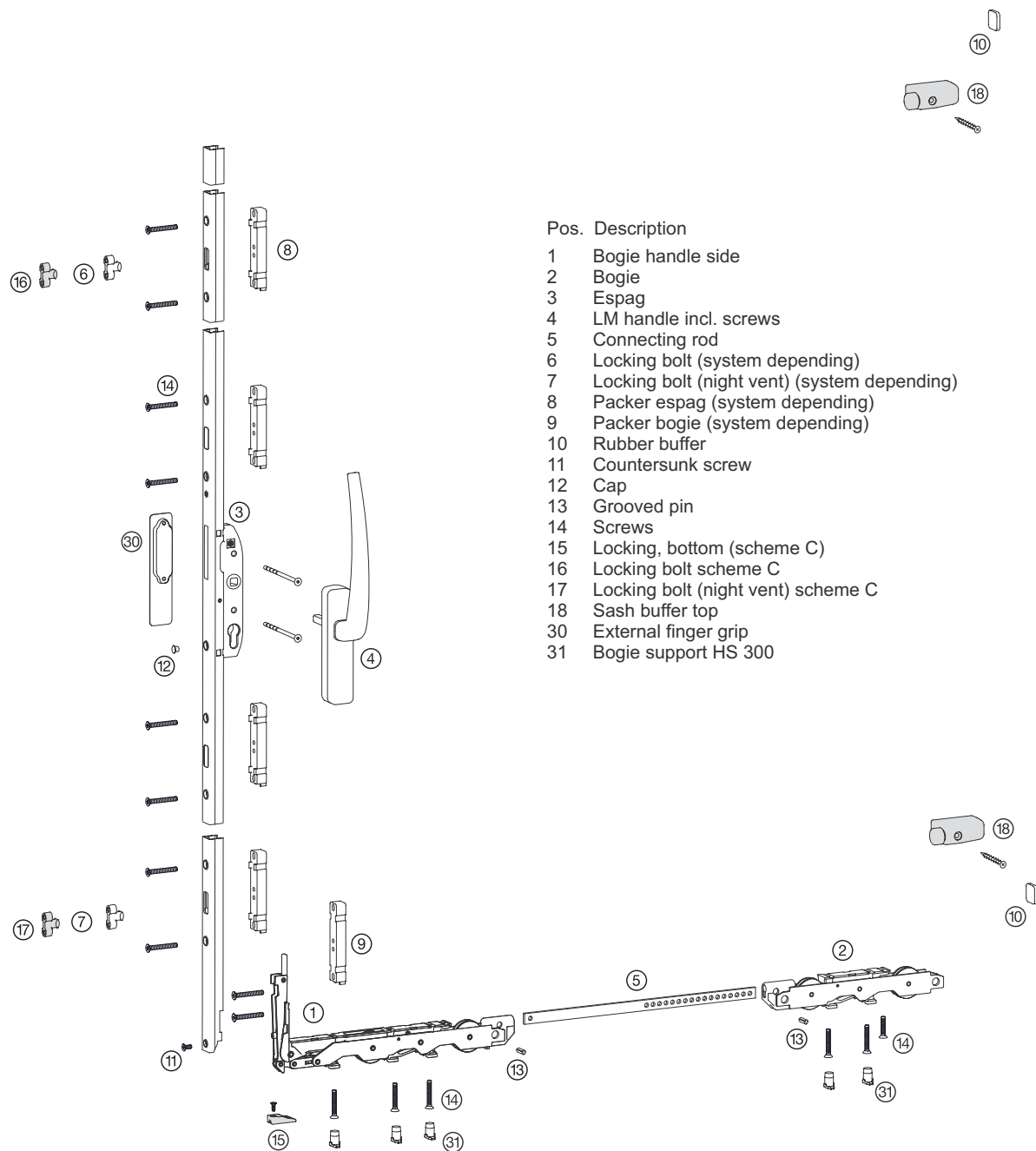


ATRIUM Alu-HS® 200

Items required for scheme

A	C	Article description	Item Code
1	2	Carton bogies HS 200 1 2	193720
1	2	Accessories Alu-HS 200 10 11 12 13	189490
1	2	Carton LM handle (Design) 4	EV1 185176 white 185170 brown 185173
1	2	Espag HS 200 with threaded bushes 3	EV1 197387 197024 197027 197030
		Size FH	
		180 1200-1800	
		210 1801-2100	
		240 2101-2400	
		270 2401-2700	
1	2	Connecting rod 5	HAUTAU-S-Plus 184578 184581 184584
		Size FB	
		150 650-1360	
		200 1361-1860	
		250 1861-2360	
1	2	Packers 8 9	198027
		Accessories sash buffer top 18	white 187480 black 187477
1		Locking bolt 6	200029
1		Locking bolt (night vent) 7	200032
	1	Locking bolt, scheme C (no ill.)	200035
	1	Locking bolt (night vent), scheme C (no ill.)	200038
	1	Locking, bottom (scheme C) 15	186934
1	2	Screws 14	198285

ATRIUM Alu-HS® 300



Pos. Description

- 1 Bogie handle side
- 2 Bogie
- 3 Espag
- 4 LM handle incl. screws
- 5 Connecting rod
- 6 Locking bolt (system depending)
- 7 Locking bolt (night vent) (system depending)
- 8 Packer espag (system depending)
- 9 Packer bogie (system depending)
- 10 Rubber buffer
- 11 Countersunk screw
- 12 Cap
- 13 Grooved pin
- 14 Screws
- 15 Locking, bottom (scheme C)
- 16 Locking bolt scheme C
- 17 Locking bolt (night vent) scheme C
- 18 Sash buffer top
- 30 External finger grip
- 31 Bogie support HS 300

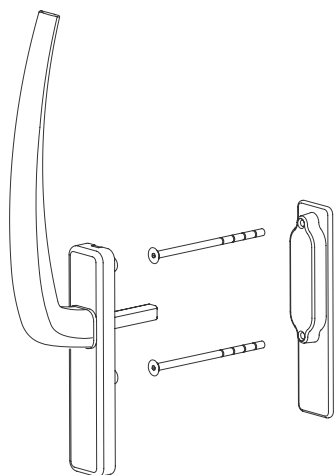


ATRIUM Alu-HS® 300

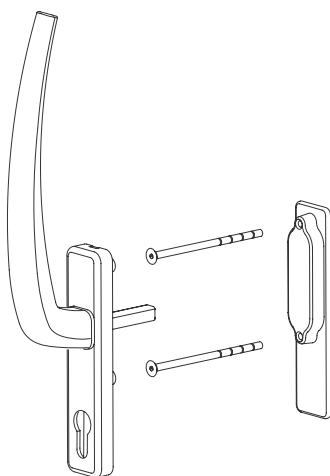
Items required for scheme

A	D	C	F	G	H	Article description	Item Code
1	2	2	4	1	3	Carton bogies HS 300 1 2	184575
1	2	2	4	1	3	Accessories Alu-HS 300 10 11 12 13	188636
1	2	2	4	1	3	Carton LM handle (Design) 4	EV1 185176 white brown 185170 185173
1	2	2	4	1	3	Espag HS 300 3	EV1 184307 184313 184319 184325
1	2	2	4	1	3	Connecting rod 5	Size FB 150 720-1500 200 1501-2000 250 2001-2500 323 2501-3235 HAUTAU-S-Plus 184578 184581 184584 184587
1	2	2	4	1	3	Packers 8 9	system depending
	2		4		2	Accessories sash buffer top 18	white black 187480 187477
1	2		2		2	Locking bolt 6	system depending
1	2		2		2	Locking bolt (night vent) 7	system depending
		1	1			Locking bolt, scheme C 16	190327
		1	1			Locking bolt (night vent), scheme C 17	190321
		1	1	1	1	Locking, bottom (scheme C) 15	186934
1	2	2	4	1	3	Screws 14	198057

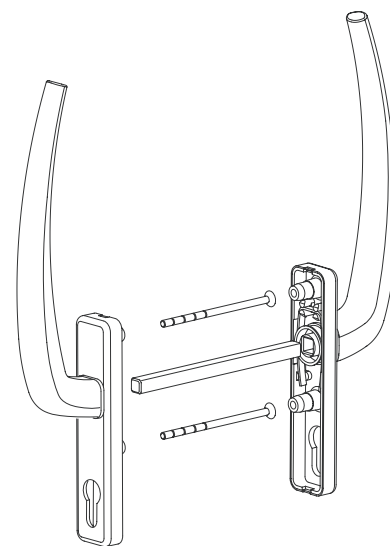
Handle sets



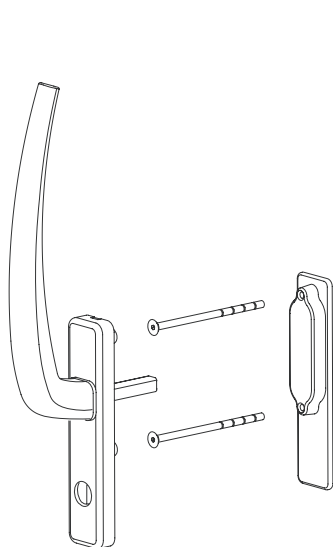
4 Handle set inside



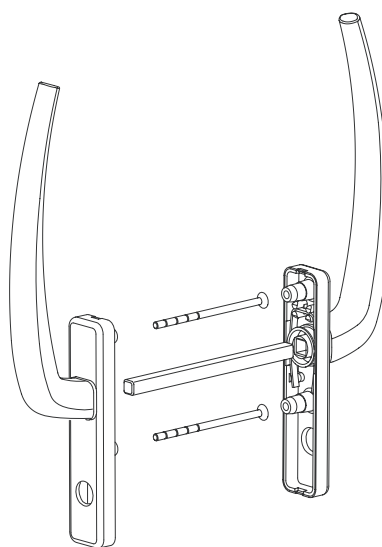
/a Handle set Pz/I



/b Handle set Pz/IA



/c Handle set round cylinder inside Rz/I



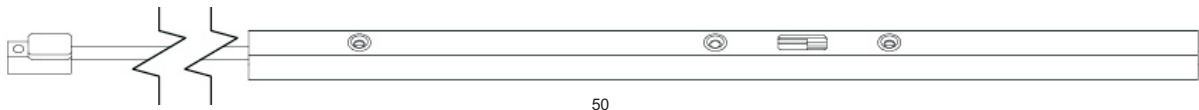
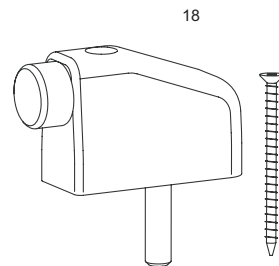
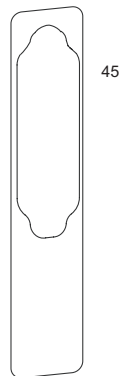
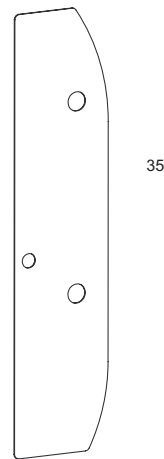
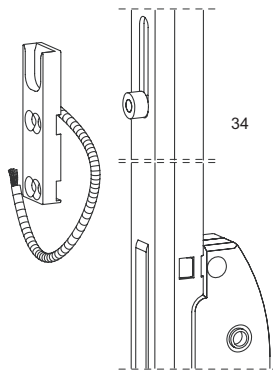
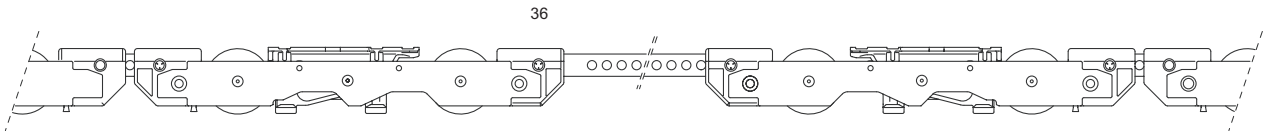
/d Handle set round cylinder Rz/IA



Handle sets

Article description	Item Code					
	EV1	RAL 9016	RAL 9001	brown	black	C33
Handle set inside 4	185176	185170	191554	185173	193615	185592
Handle set for profile cylinder inside (Pz/I) /a	186988	186982	191557	186985	193618	186991
Handle set with outside operation for inside/outside profile cylinder (Pz/IA) /b	185185	185179	191563	185182	193621	185595
Handle set SKG* (no ill.) with outside operation for inside/outside profile cylinder (Pz/IA)	194855					
Handle set for surface coating, Single components (no ill.) inside	204553					
Handle set for surface coating, Single components (no ill.) for profile cylinder inside (Pz/I)	204556					
Handle set for surface coating, Single components (no ill.) with outside operation for inside/outside profile cylinder (Pz/IA)	206836					
Handle set for round cylinder inside (Rz/I) /c	211300	211288	211291	211297	211294	211303
Handle set with outside operation for inside/outside round cylinder (Rz/IA) /d	211318	211306	211309	211315	211312	211321
Screws M5 x 70 (2 Stück) (no ill.) for espag with thread bushes and profiles below 50 mm construction depth						130499

Accessories

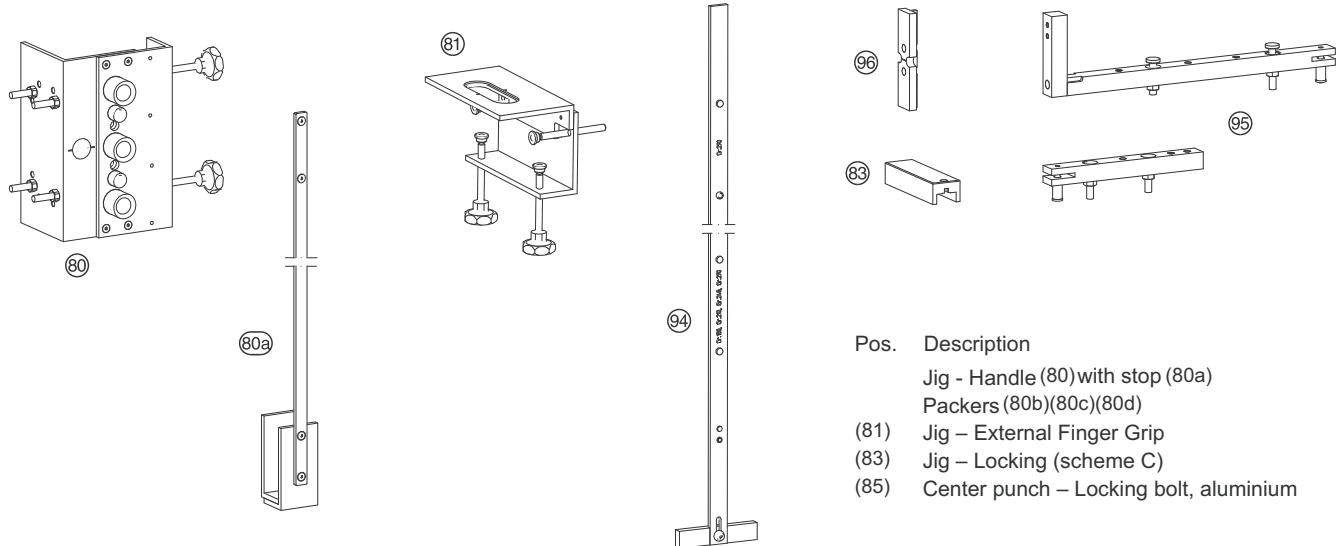




Accessories

Article description	Item Code		
Carton Tandem bogie HS 300 c/w accessories, max.sash weight 400 kg			
for running track round (R5) ³⁶			196199
for running track trapezoid (Schüco)			196667
for running track trapezoid (Metra)			204844
	Size	FH	EV1
Espag for round shaped cylinder HS 300 ³³	180	1200-1800	204622
	210	1801-2100	204625
	240	2101-2400	204628
	270	2401-2700	204631
	Size	FH	EV1
Espag with lock controlling incl. frame sensors HS 300 ³⁴	180	1200-1800	206812
	210	1801-2100	206815
	240	2101-2400	206818
	270	2401-2700	206821
Espag extension HS 300, 600 mm (with 1 locking) ⁵⁰			209738
Espag extension HS 300, 600 mm (no locking) ⁵¹			
Sealing for external finger grip ³⁵			191260
Anti-drill protection accessories WK2			193573
Bag accessories sash stop ¹⁸			black white
			187477 187480
Packer forlocking bolt 0,5 mm			206074
Bogie support Alu-HS 300			209741
	Size	FH	HAUTAU-S-Plus
Connecting rod, round ⁵	150	720-1500	111446
	200	1501-2000	111455
	250	2001-2500	188708
	323	2501-3235	188711
Screw for connecting rod (no ill.) (each sash 4pcs. required)			104273

Mounting Support (Tools)



- | Pos. | Description |
|------|--|
| | Jig - Handle (80)with stop (80a) |
| | Packers (80b)(80c)(80d) |
| (81) | Jig – External Finger Grip |
| (83) | Jig – Locking (scheme C) |
| (85) | Center punch – Locking bolt, aluminium |

Article description	Item Code
Jig - Handle with stop (80)	186905
Jig - External finger grip (81)	187966
Jig locking, bottom (scheme C) (R5) (83)	187972
Jig locking, bottom (scheme C) Schüco/Metra (83)	196562
Jig Espag HS 300 uni (94)	197548
Jig Espag HS 300 SAPA (94)	197536
Jig bogie HS 300 long uni (95)	195050
Jig bogie HS 300 short uni (95)	195053
Jig bogie HS 400 long (95)	195044
Jig bogie HS 400 short (95)	195047
Jig bogie HS 300 long SAPA C125 (95)	197521
Jig bogie HS 300 short SAPA C125 (95)	197524
Jig locking bolt Alu-HS 300 Akotherm (96)	207322
Jig locking bolt Alu-HS 300 Alumil (96)	196718
Jig locking bolt Alu-HS 300 SAPA ES 60 (96)	193564
Jig locking bolt Alu-HS 300 Heroal (96)	189748
Jig locking bolt Alu-HS 300 Reynaers TLS 110 (96)	189988
Jig locking bolt Alu-HS 300 Schüco ASS 70 (96)	196205
Jig locking bolt Alu-HS 300 Schüco ASS 50 (96)	189745
Jig locking bolt Alu-HS 300 Extrugal (96)	190819
Jig locking bolt Alu-HS 300 Cortizo (96)	190285
Jig locking bolt Alu-HS 300 Kawneer Alcoa RT135 (96)	190384
Jig locking bolt Alu-HS 300 Reynaers CP 155 (96)	189751
Jig locking bolt Alu-HS 300 Wicona Wicslide 23 (96)	189742
Jig locking bolt Alu-HS 300 Wicona Benelux and 26 (96)	189754
Jig locking bolt Alu-HS 300 Metra (96)	189739

Further mounting support on request.



Lavaal Ibérica
Plataforma Logística PLAZA
C/ Pertusa, 5, naves 1 a 3
Phone +34 976 52 90 44
Fax +34 976 52 75 25
lavaaliberica@lavaaliberica.com