



Dynamic and safety in its function

INNOVATION 2009/2010

accessori per serramenti

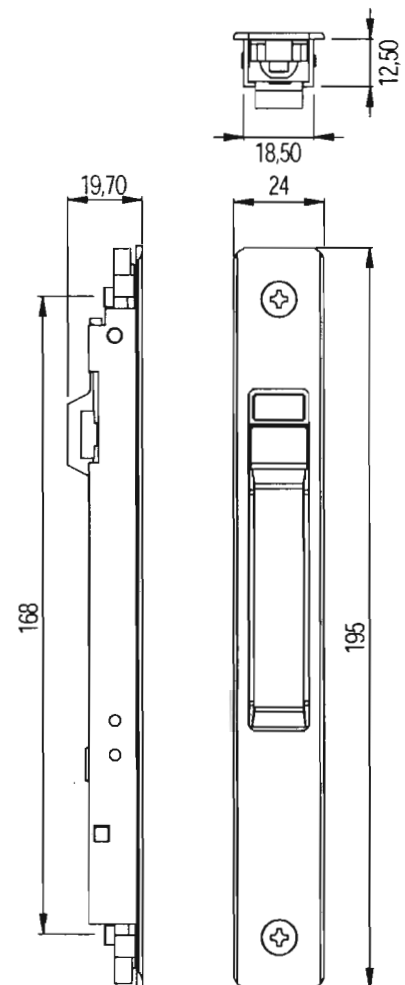
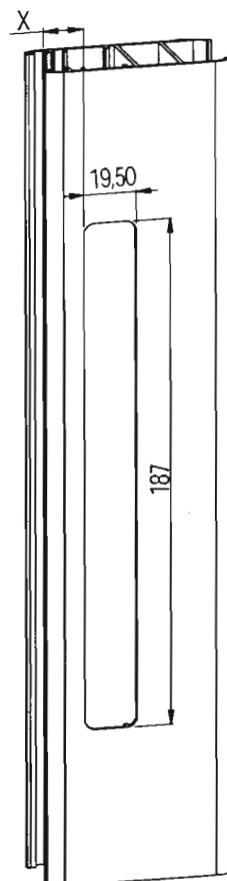
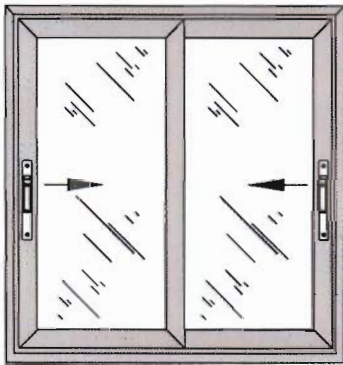


Delta recessed handle for sliding doors



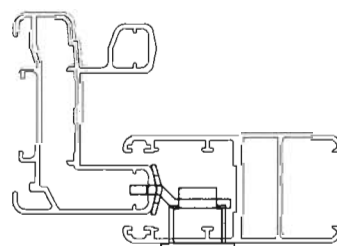
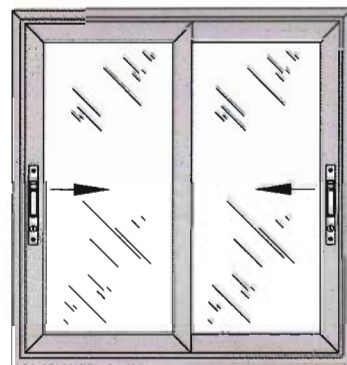
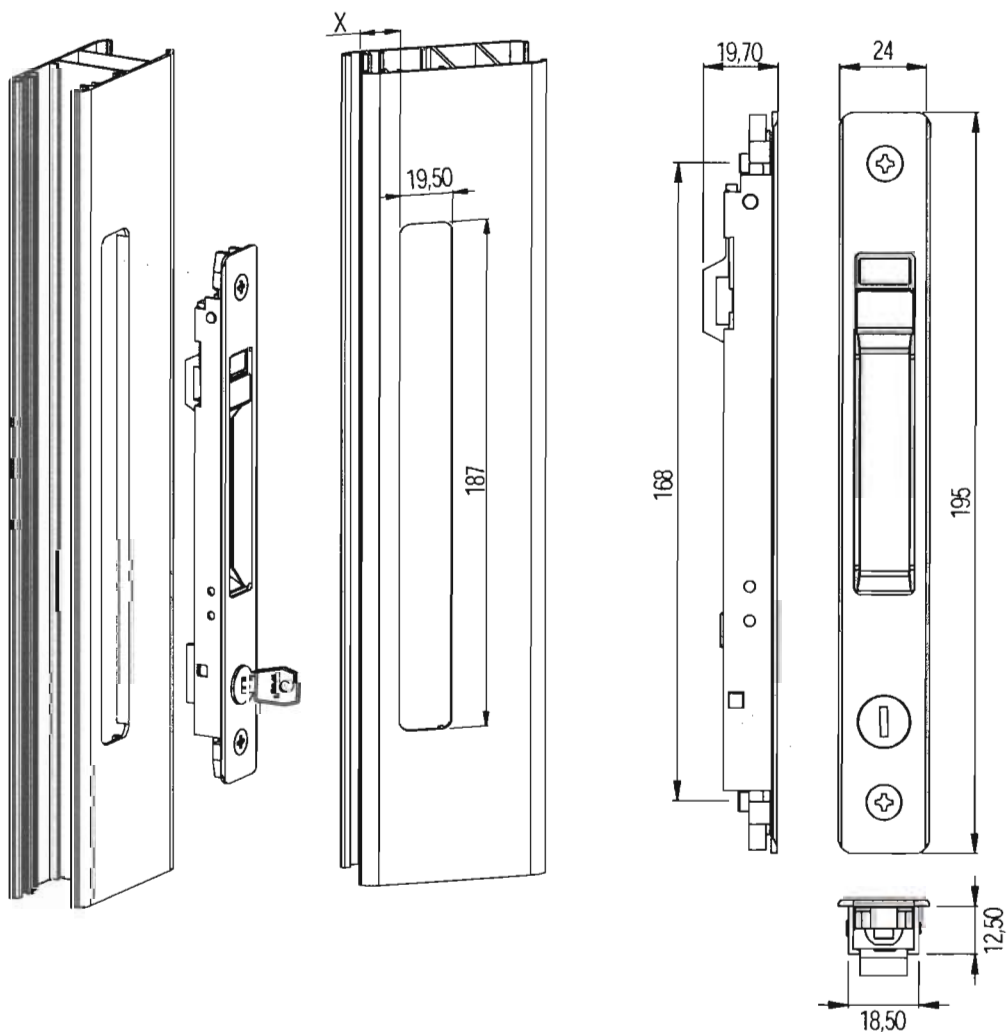
Flush-mounted handle for side-locks on sliding windows and doors. The control lever is operated in a vertical direction both during opening and closing with red/green.

The body and the control lever are made from aluminium while the mechanisms are made from zamak, stainless steel screws (2 screws TB M5 x 10). It is reversible and this application on the window is quick and secure.

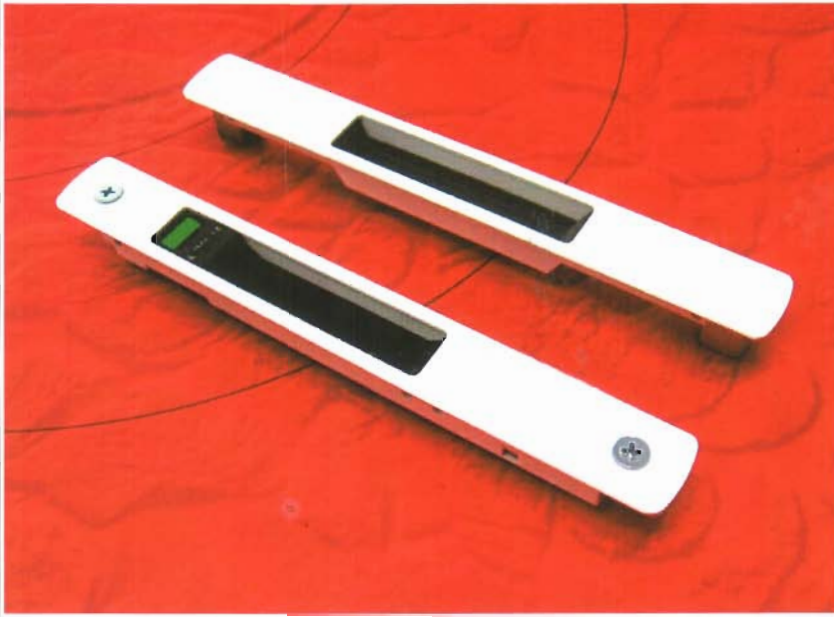


Deltakey recessed handle for sliding doors

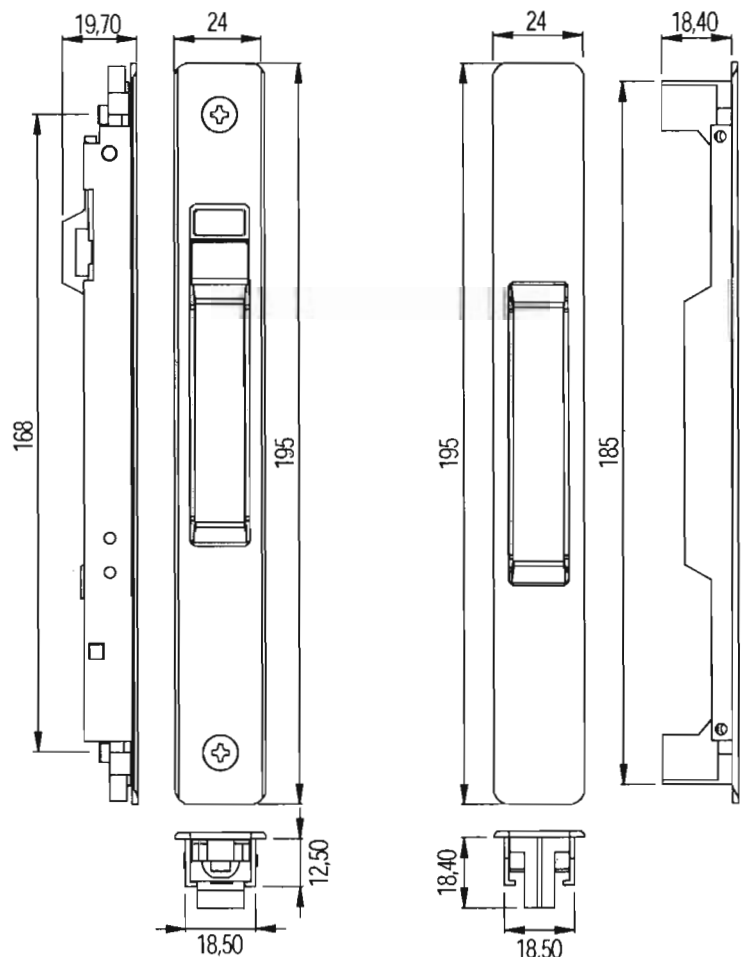
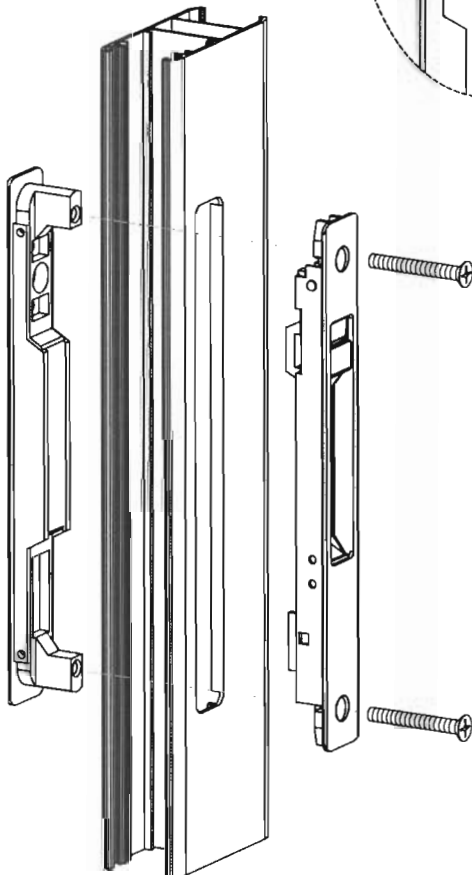
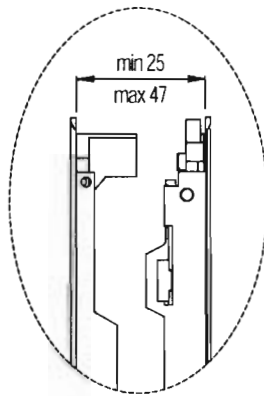
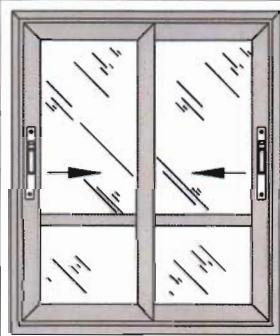
Flush-mounted handle for side-locks on sliding windows/doors, fitted with a cylinder lock (with own key). The control lever is operated in a vertical direction both during opening and closing with red/green. The body and the control lever are made from aluminium while the mechanisms are made from zamak, stainless steel screws (2 screws TB M5 x 10). It is reversible and its application on the window is quick and secure.



Delta duplex recessed handle with external pull chamber

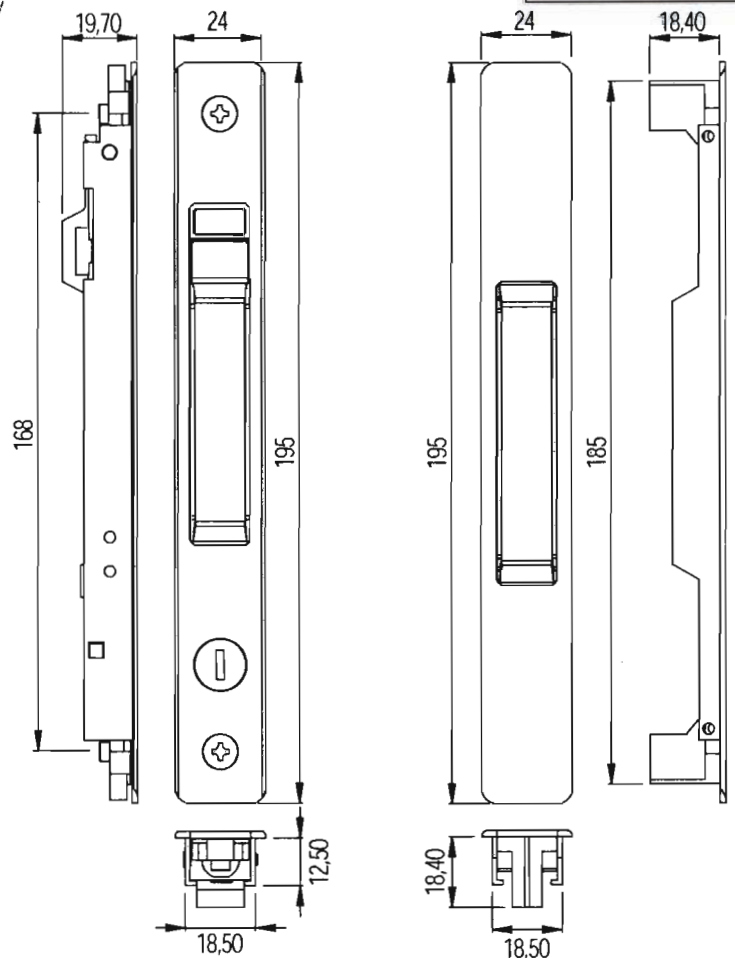
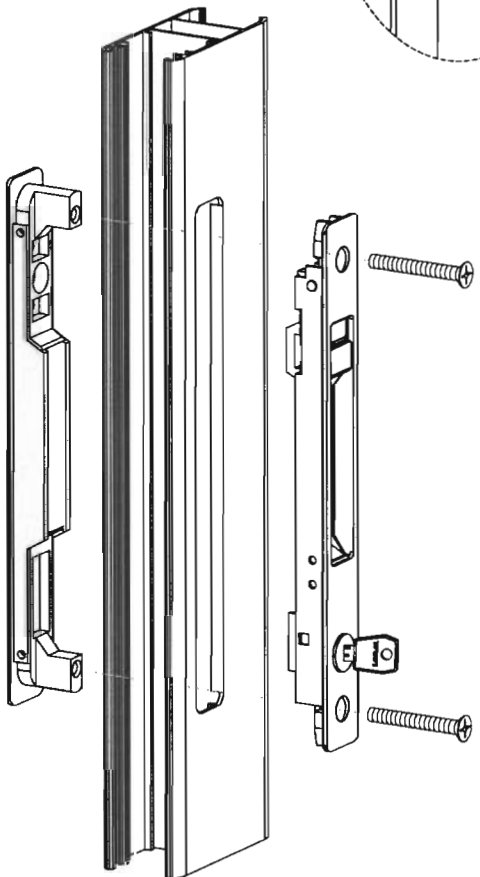
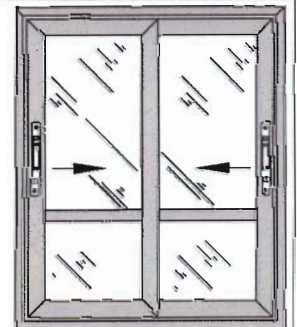
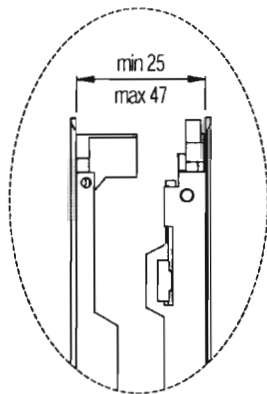


Flush-mounted handle for side-locks on sliding windows and doors coupled with external pull chamber. The control lever is operated in a vertical direction both during opening and closing with red/green. The body and the control lever are made from aluminium while the mechanisms are made from zamak, stainless steel screws (2 screws TB M5 x 20 + 2 screws TB M5 x 35). It is reversible and its application on the window is quick and secure.



Deltakey duplex recessed handle with external pull chamber

Flush-mounted handle for side-locks on sliding windows/doors, fitted with a cylinder lock (with own key). The control lever is operated in a vertical direction both during opening and closing with red/green. The body and the control lever are made from aluminium while the mechanisms are made from zamak, stainless steel screws (2 screws TB M5 x 20 + 2 screws TB M5 x 35). It is reversible and its application on the window is quick and secure.

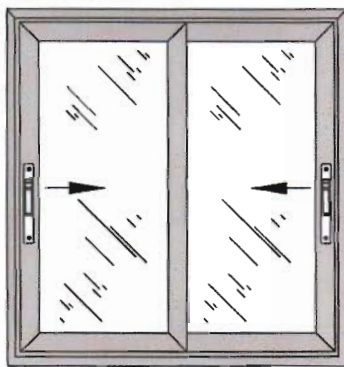


"Delta" recessed handle closing kit

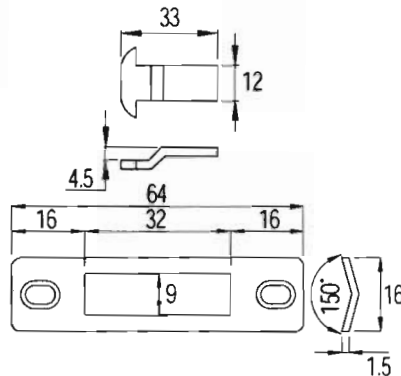


Bended hook and striker galvanized steel/stainless steel made to be applied to the "Delta" recessed handles. We provides several types of hooks in order to cover the largest possible number of sliding systems.

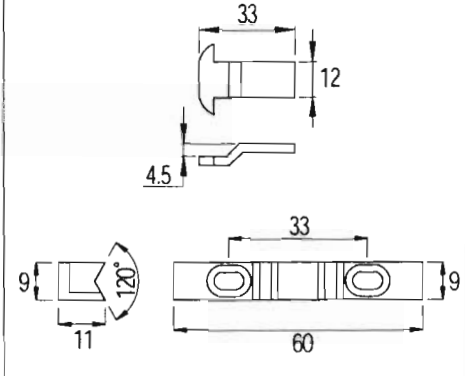
Art. 221.....59 *Stainless steel*
Art. 221.....60 *Galvanized steel*



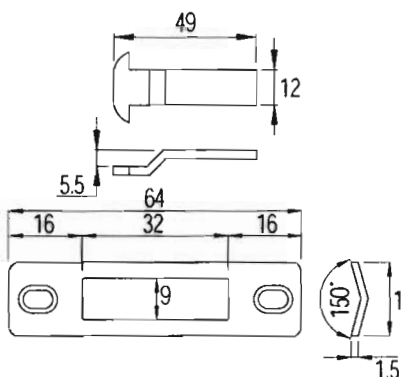
Art. 22100.00.59 ...60



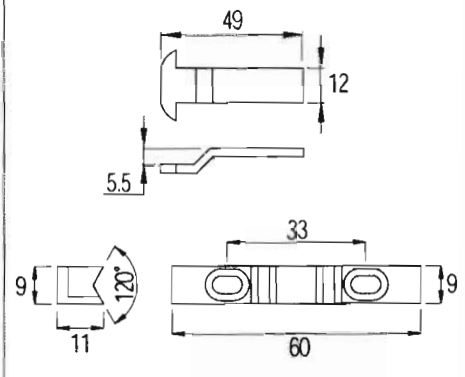
Art. 22110.00.59 ...60



Art. 22120.00.59 ...60

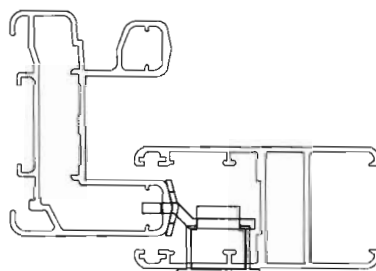


Art. 22130.00.59 ...60

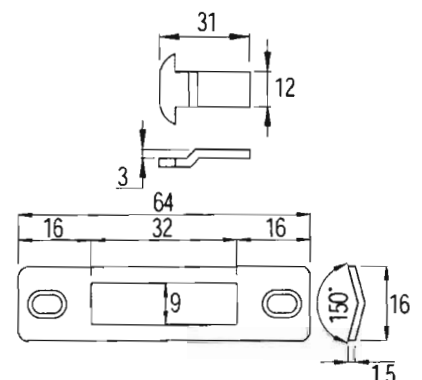


Adaptability to the systems

	22100.00.59 ...60	22110.00.59 ...60	22120.00.59 ...60	22130.00.59 ...60	22140.00.59 ...60
EMIRATES EXTRUSION					
PARAGON sliding series	■				
EMERALD sliding series	■				
ARABIAN EXTRUSION					
AREXAL sliding series	■				
AL HAMAD EXTRUSION					
ECO 500 sliding series	■				
GULF EXTRUSION					
105 mm series	■				
125 mm series	■				
MONTANA series				■	
ALUPCO					
AluPco Therm 123 sliding		■			
BALEXCO					
BL 105 cold sliding series			■		
BL 100 cold sliding series					■
AL JABER EXTRUSION					
92 mm sliding series				■	
135 mm sliding series				■	

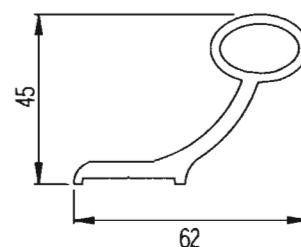
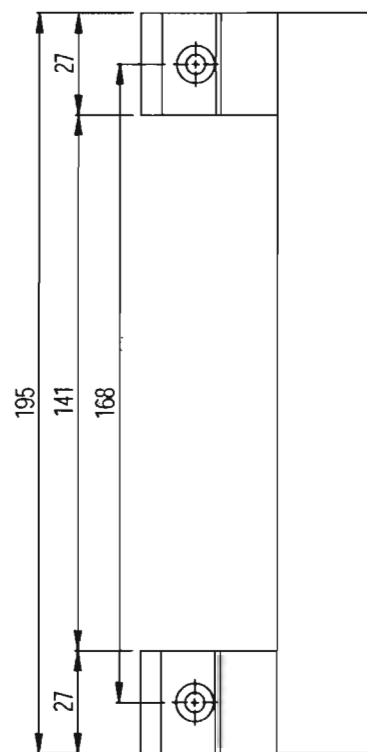
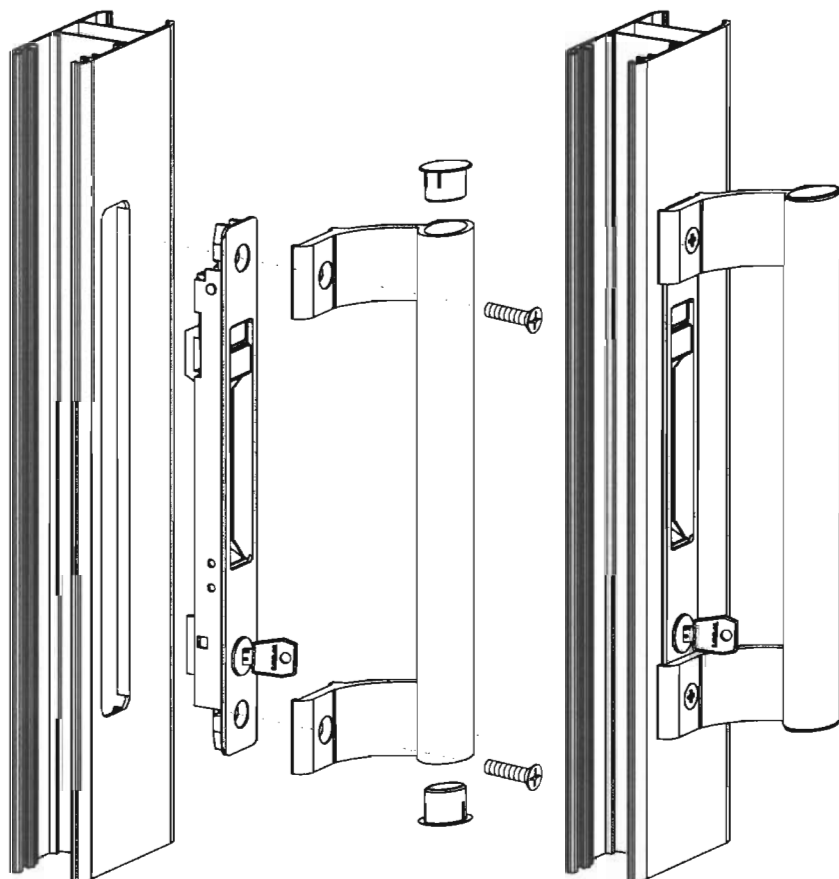
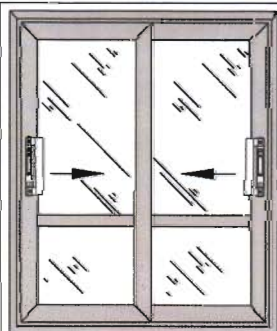
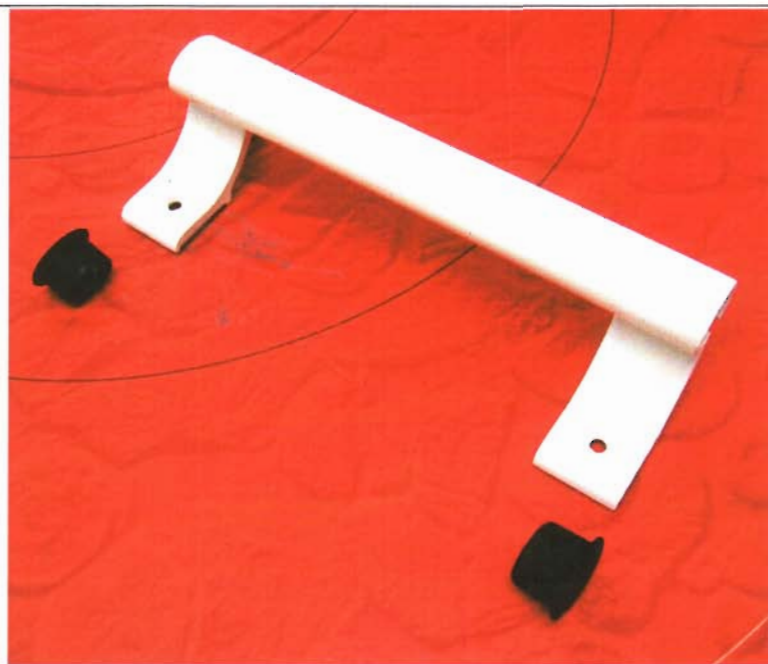


Art. 22140.00.59 ...60

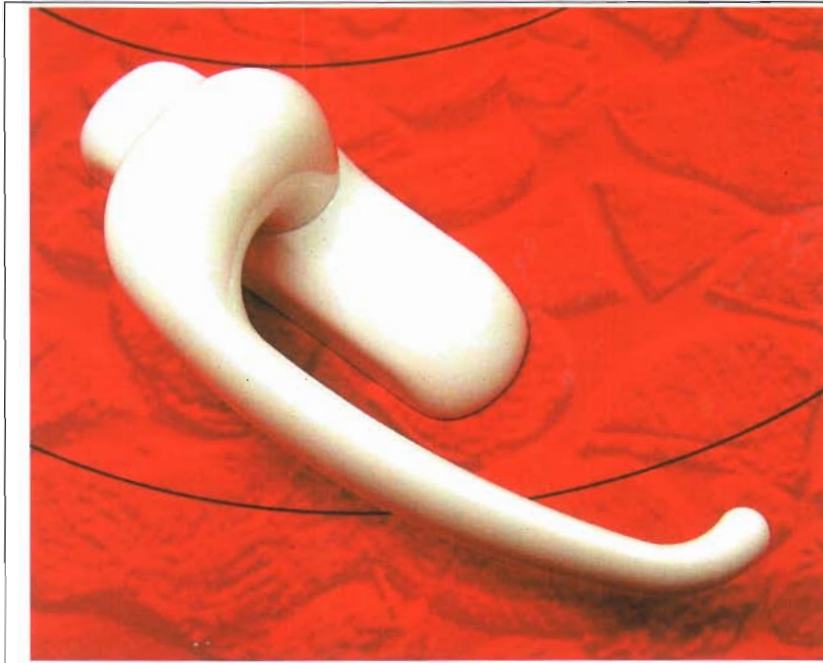


Delta pull handle mm 168

Aluminium pull handle to be applied on sliding windows/doors can be mounted in combination with recessed handles "Delta".



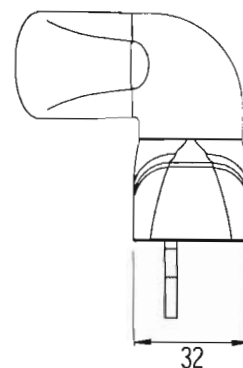
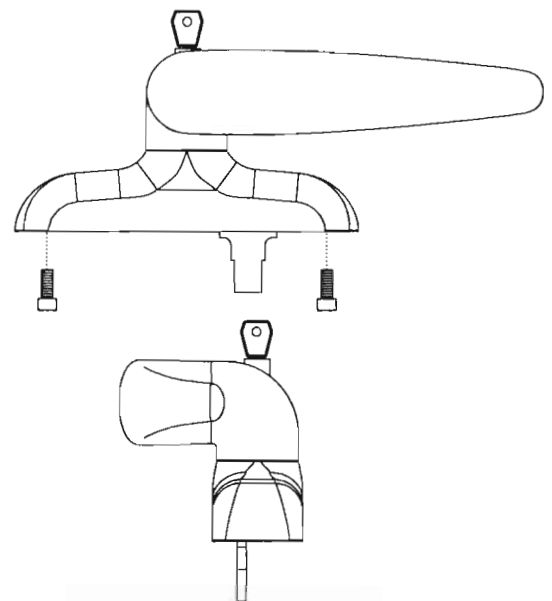
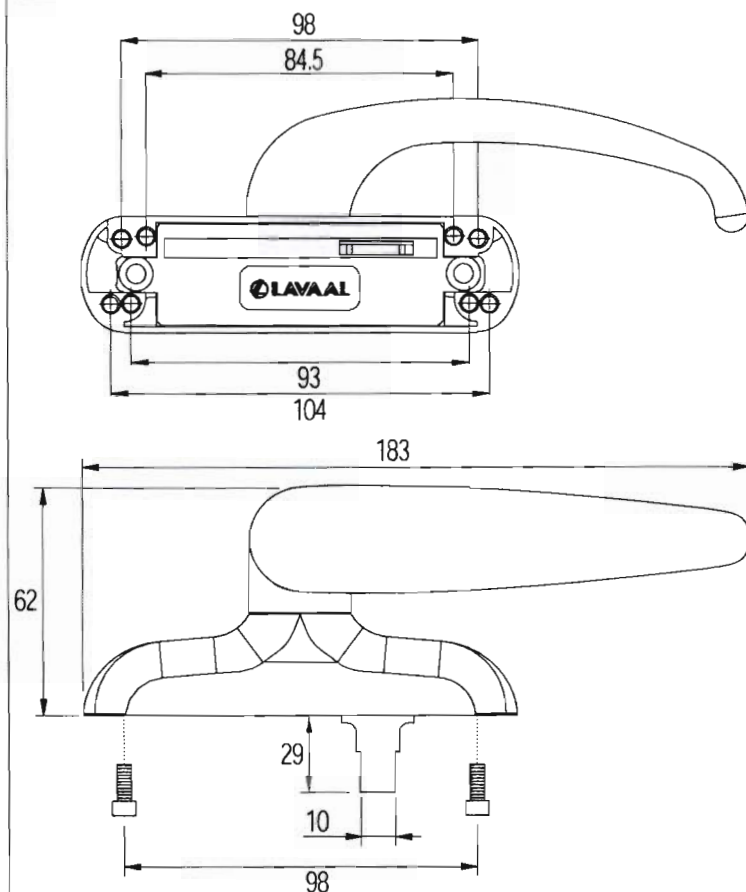
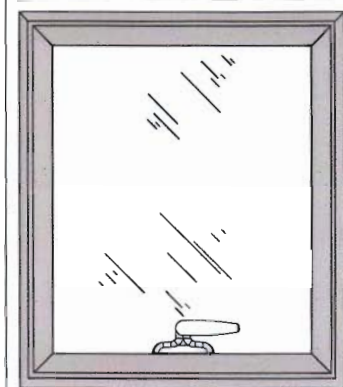
Luna cremone offset handle right spindle 29 mm



Die-cast aluminium handle and zama case. It differs from the basic casement bolt because, apart from having only one transmission fin, it has an offset handle for ease of grip since it is to be applied on the lower strut of outward opening windows.

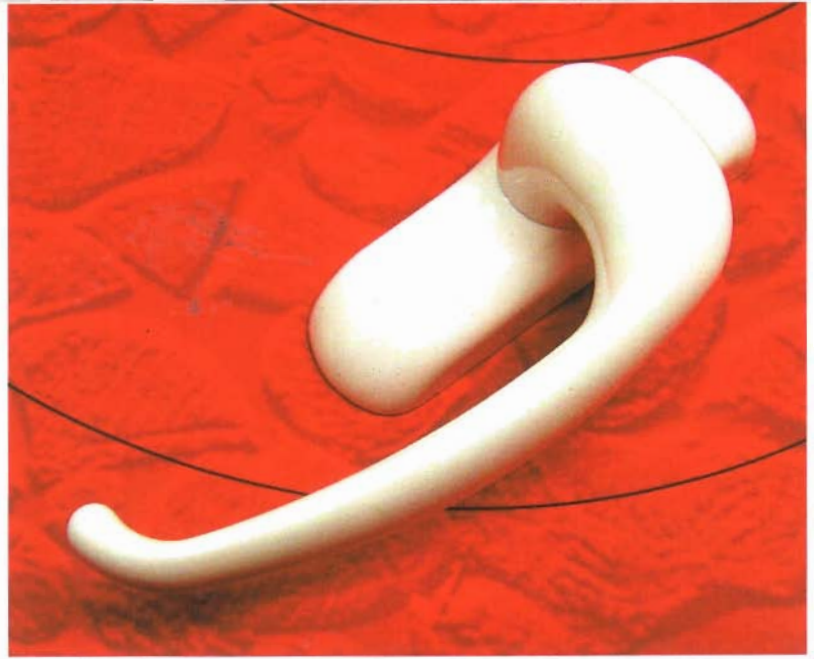
21810.00.82

LunaKey cremone offset handle right spindle 29 mm



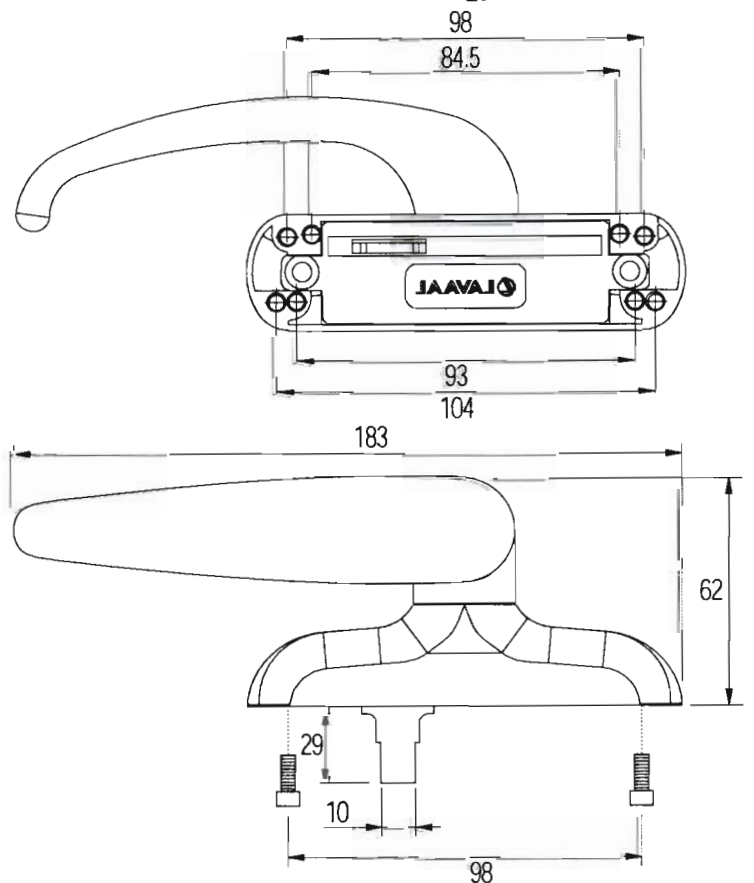
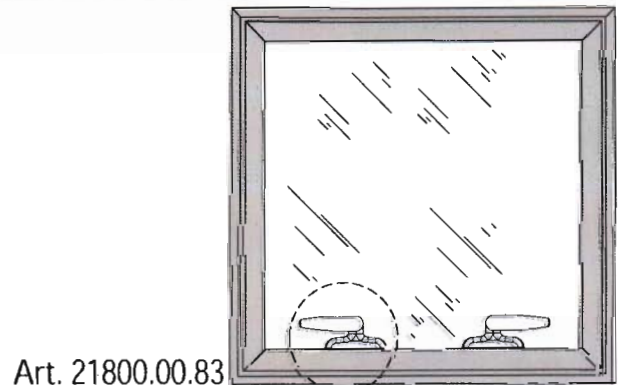
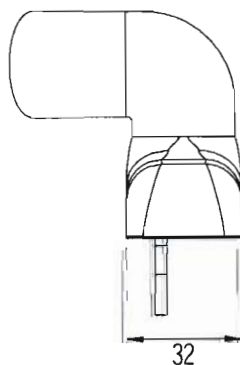
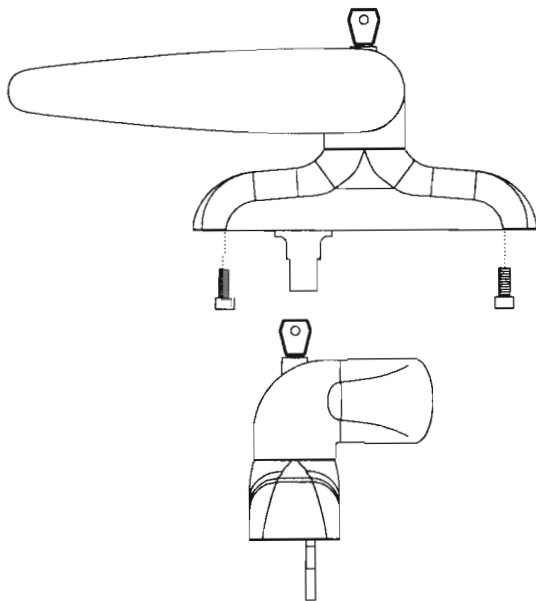
Luna cremone offset handle left spindle 29 mm

Die-cast aluminium handle and zama case. It differs from the basic casement bolt because, apart from having only one transmission fin, it has an offset handle for ease of grip since it is to be applied on the lower strut of outward opening windows.



21810.00.83

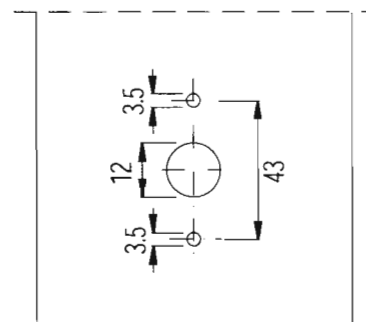
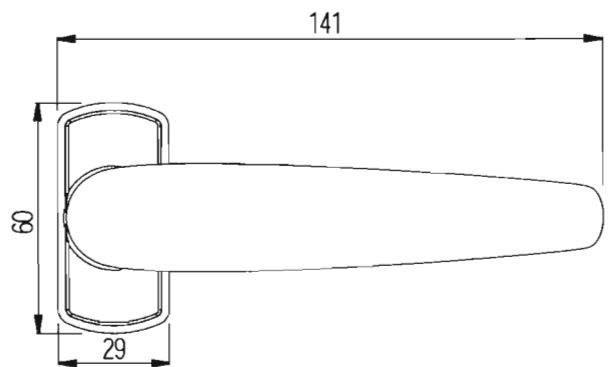
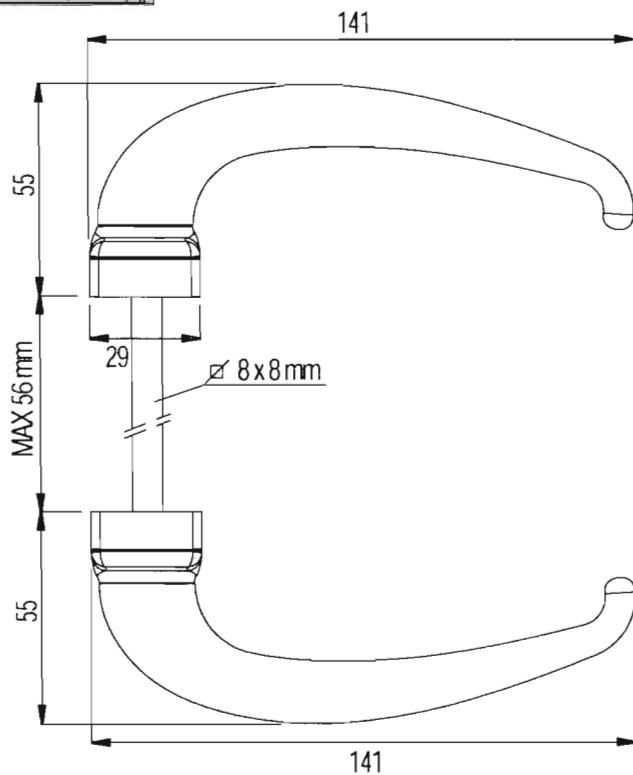
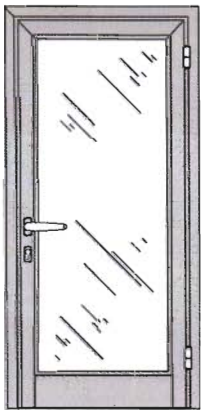
LunaKey cremone offset handle left spindle 29 mm



"Lunapor2" double handle for doors



Double handles for doors and windows made in die-cast aluminium. The handle presents a special spring-loaded mechanism that allows to return the handle in a 90 degree upright position.



"Lunafin2" window handle

Die-cast aluminium handle. The internal spring-loaded mechanism for returning the handle in the upright 90 degree position. The center-to-center distance is 43 mm. Lunafin2 can be used with our articles 06430.00.00 , 06440.00.00 and sliding drive rod bar MultiClick.

